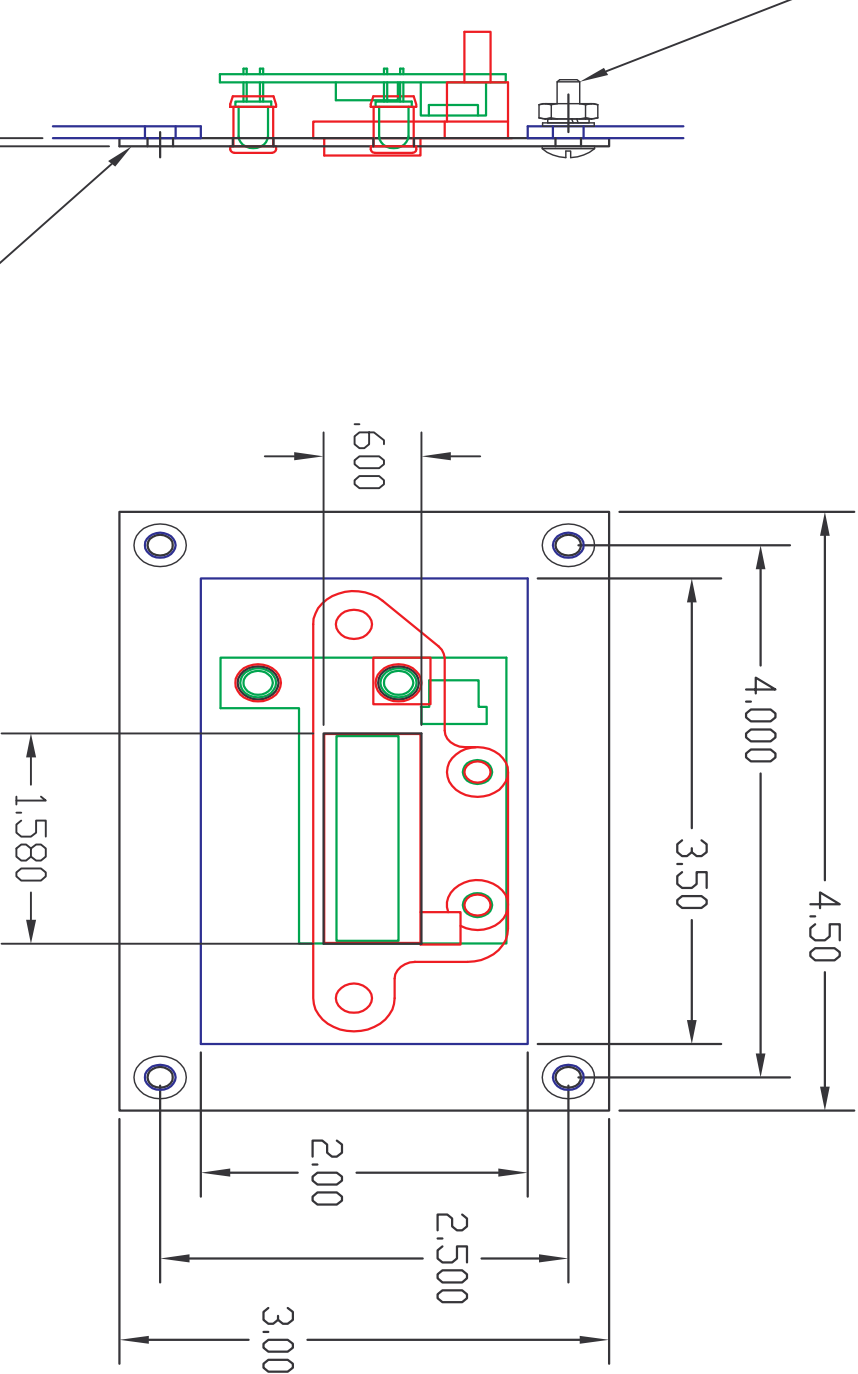


- ND 6 TRUSS HEAD SCREW X .50 LONG
- ND 6 FLAT WASHER
- ND 6 SPLIT LOCK WASHER
- ND 6 HEX NUT



110250 DISPLAY PLATE

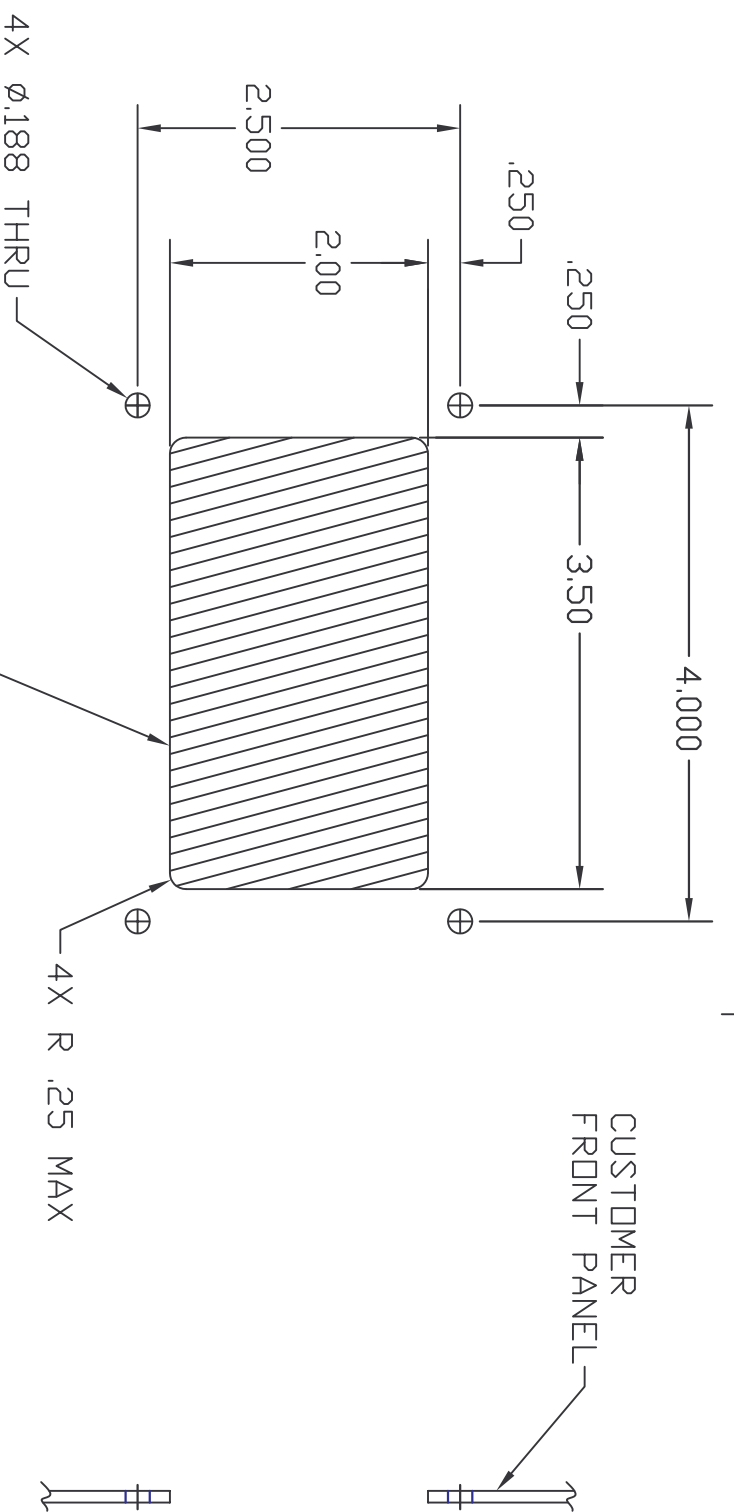
REVISIONS				
ZONE	REV	DESCRIPTION	DATE	APPROVED

CUSTOMER PANEL

NOTES: UNLESS OTHERWISE SPECIFIED

<b>TOLERANCES</b> .XXX ± .010 .XX ± .02 HOLE DIA + .005 - .001 ANG ± 1/2° UNLESS OTHERWISE NOTED		<b>ELECTRONIC SYSTEMS DESIGN, INC</b> SAN FERNANDO, CALIFORNIA 91340	
<b>ENGINEER</b> S. VALE APPROVED M. STERN	<b>DATE</b> 27-JAN-11	<b>SIZE</b> B	<b>FSCM NO.</b> 110250 - ASSY
<b>TITLE</b> LAYOUT, MODEL 110250		<b>SCALE</b> 1/1	<b>REV</b> 1 OF 1

REVISIONS				
ZONE	REV	DESCRIPTION	DATE	APPROVED



CUT OUT AREA  
INDICATED BY  
CROSS HATCHING

4X Ø.188 THRU

4X R .25 MAX

CUSTOMER  
FRONT PANEL

NOTES: UNLESS OTHERWISE SPECIFIED

TOLERANCES .XXX ± .010 .XX ± .02 HOLE DIA + .005 - .001 ANG ± 1/2° UNLESS OTHERWISE NOTED		TITLE <b>ELECTRONIC SYSTEMS DESIGN, INC</b> SAN FERNANDO, CALIFORNIA 91340 DISPLAY PANEL INSTALLATION ESDI MODEL 110250	
ENGINEER S. VALE	DATE 27-JAN-11	SIZE B	FORM NO. 110250
APPROVED M. STERN	DATE	SCALE 1/1	DWG NO. 110250
		SHEET 1 OF 1	REV