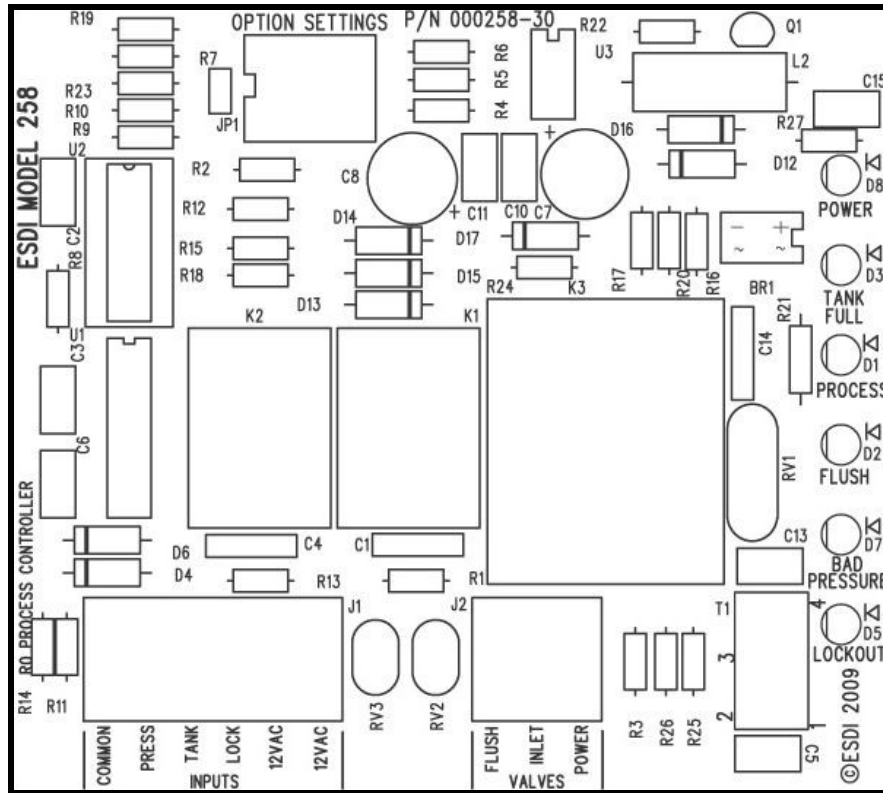


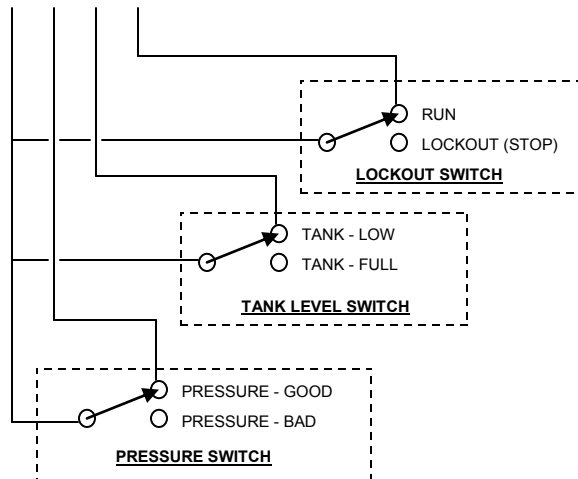
MODEL 258 R O SYSTEM CONTROLLER

INPUT WIRING DIAGRAM

(REVISED 07-10-2013)



WIRE SIZE:
20 - 24 AWG
UL-1015



IMPORTANT NOTE:

INPUTS MUST ONLY BE CONNECTED TO ISOLATED CONTACTS
(SWITCHES, RELAYS, ETC.) THAT ARE EITHER OPEN OR CLOSED.
FAILURE TO DO SO MAY CAUSE PERMANENT DAMAGE TO THE CONTROLLER.

Never Apply Any External Voltages to The Signal Inputs, or Damage Will Occur.